

Description

CD18 is a linear current driver for converting PLC's $\pm 10V$ signal out to up to $\pm 100mA$ current. It solves the driving of some of the PLC incompatible devices by PLC standart output (for instance some Moog Servo valves).

Existence of supply voltages and \pm current are displayed by leds gives you an idea what is happening.

Output current can be adjusted by dip switches on the PCB. You should open the cover gently to reach dip switches.

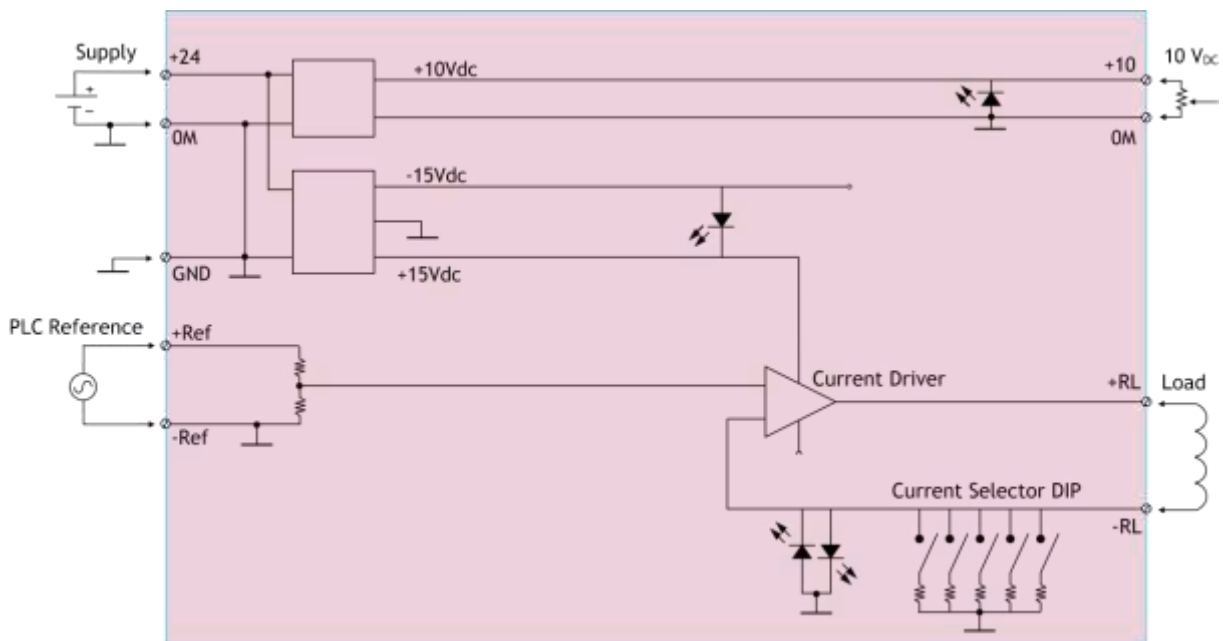
Output current selector switches can have more than one selected then the selected values are summed.

For example, selecting 10 and 30 mA together will give you ± 40 mA full scale at the output. It is ± 20 mA default setting. You should check and consider your load demand.

The Unit has also accurate Auxilary Supply Output for potentiometric linear transducer excitation. This will help you if you do not have in your electrical cabinet such an accurate one.



Principal Diagram



Specifications

Reference Input:	0 to $\pm 10V$	Class of protection:	IP20
Current Output:	0 to $\pm 100mA$ Max.	Temperature:	0 to 40°C
Current Selection:	5, 10, 20, 30, 40 mA	Mounting:	DIN Rail
Supply:	24 V nominal, 22 to 28 VDC	Dimensions:	53W x 75H x 50H mm.
Auxiliary Output:	10VDC - % 1 tol. 750mA Max.	Weight:	150 gr.

Warning !!! This device is intended to be used at the application which does not threaten to harm human body. If not, all safety requirements must be taken and under customer responsibility.